

T35-L

Guida a Sfere Estrazione Totale con Fori

Full-Extension Ball Bearing Slide with Standard Hole Pattern



Versione metallo a richiesta/For metal furniture



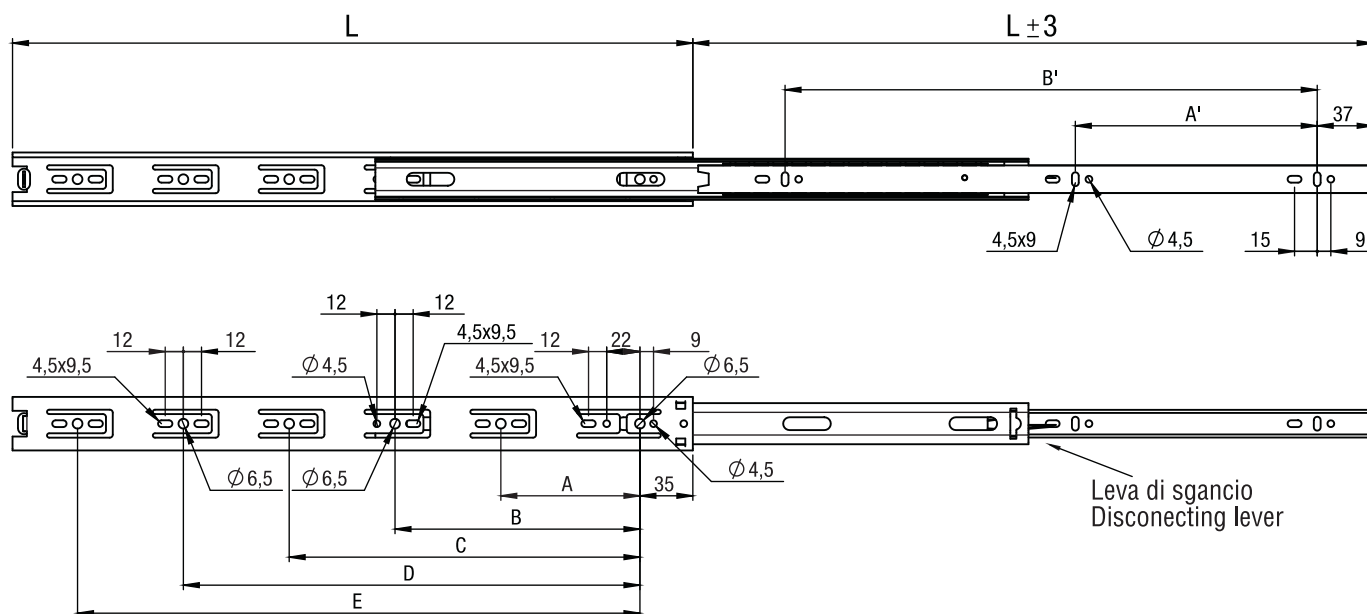
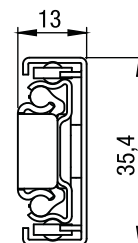
Specifiche/Specifications

Portata/Load Capacity: **30 Kg - L. 450**

Materiale/Material: **Ferro zincato/Steel galvanised**

Parte cassetto sganciabile/Removable inner member

Montaggio laterale/Side mount



| L | A | B | C | D | E | A' | B' |
|-----|-----|-----|-----|-----|-----|-----|-----|
| 200 | 128 | / | / | / | / | 128 | / |
| 250 | 128 | / | / | / | / | 160 | / |
| 300 | 128 | 224 | / | / | / | 96 | 224 |
| 350 | 128 | 224 | / | / | / | 96 | 256 |
| 400 | 128 | 224 | 320 | / | / | 128 | 320 |
| 450 | 128 | 224 | 352 | / | / | 160 | 352 |
| 500 | 128 | 224 | 416 | / | / | 192 | 416 |
| 550 | 128 | 224 | 320 | 448 | / | 192 | 448 |
| 600 | 128 | 224 | 352 | 512 | / | 224 | 512 |
| 650 | 128 | 224 | 352 | 544 | / | 256 | 544 |
| 700 | 128 | 224 | 352 | 480 | 608 | 288 | 576 |