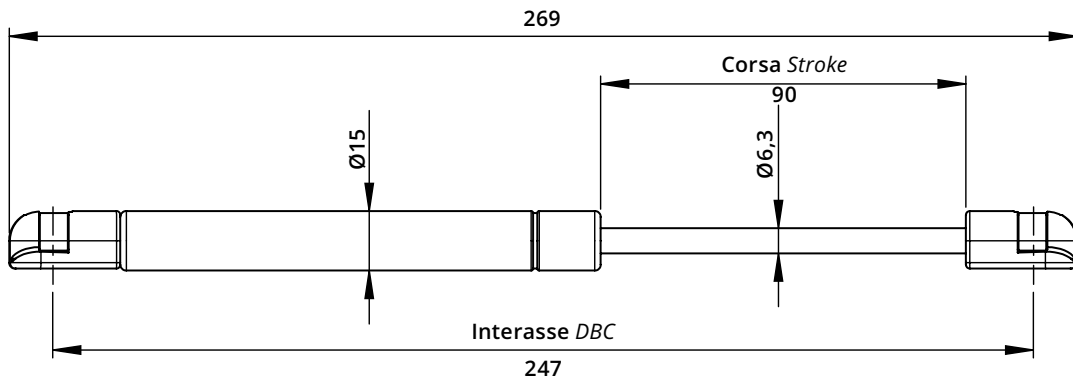
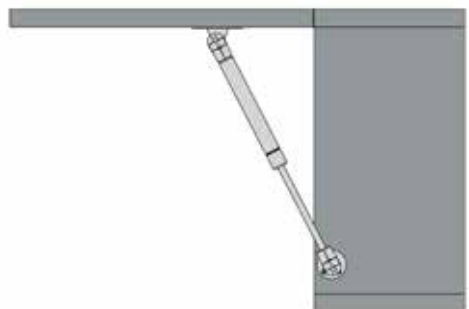
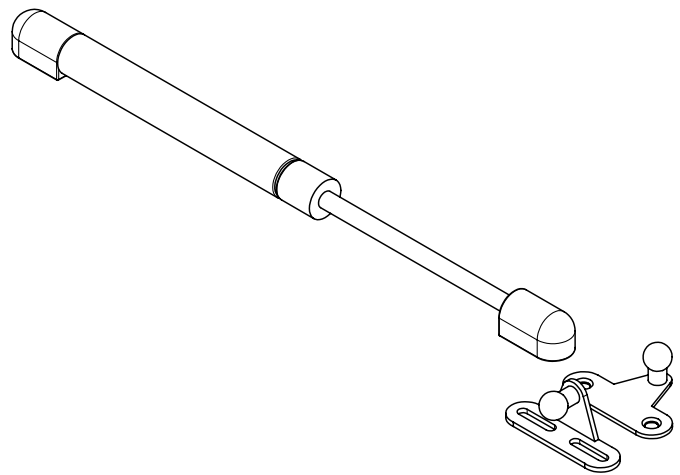
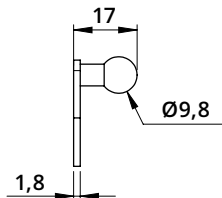
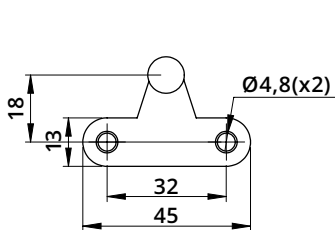
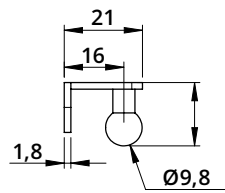
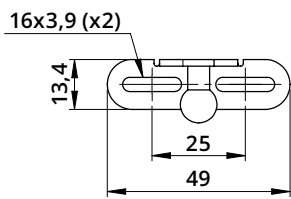
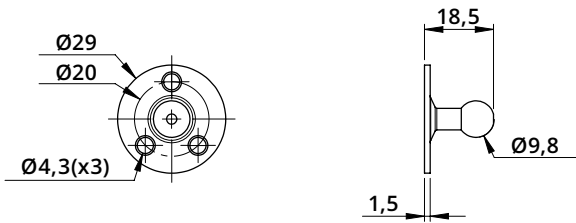


Pistoni a gas con attacchi a pressione, forniti con staffe e viti
Gas springs with quick-type end fitting, supplied with brackets and screws.



FORZE DISPONIBILI - AVAILABLE FORCES							
30	50	60	80	100	120	150	180



Vite Svasata
autofilettante (x7)
Chamfered self-tapping
screw (x7)