

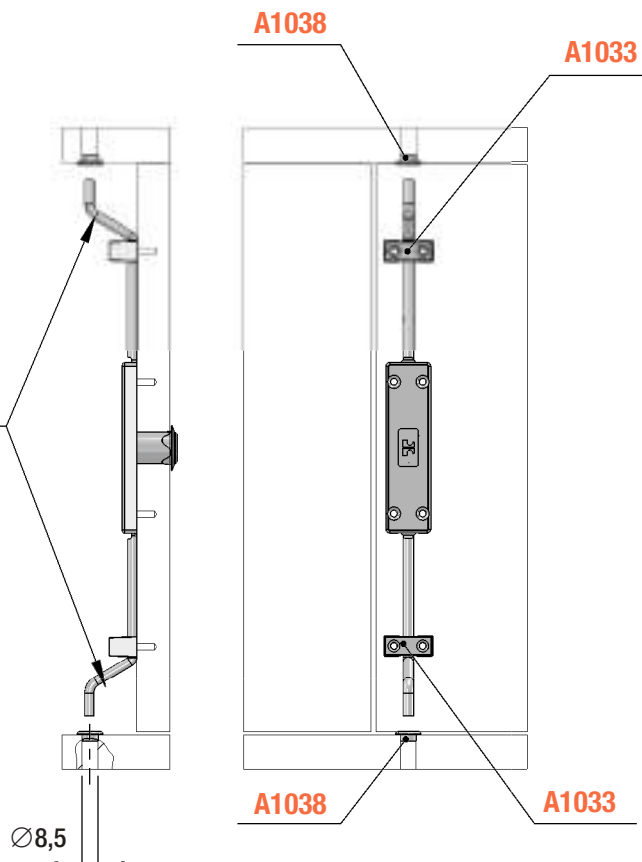
# 1701

## Serratura ad aste espansione Extending bar lock

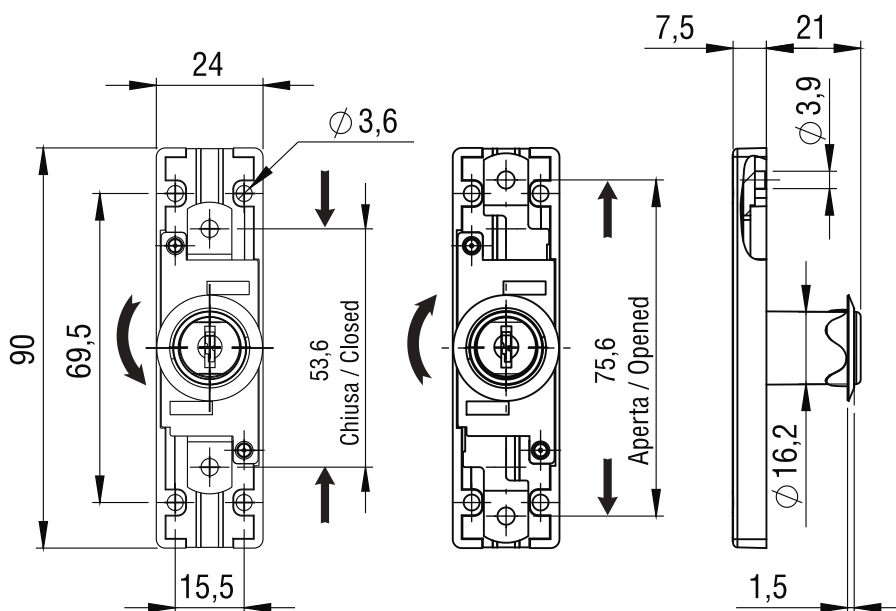
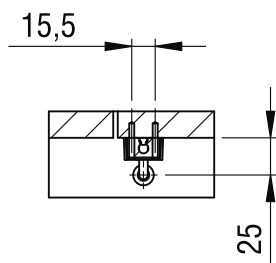
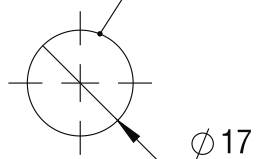


Asta serratura  $\varnothing 6 \times 5$   
nichelata a disegno

$\varnothing 6 \times 5$  Nickel plated  
Customized lock bar



Foro mobile  
Cabinet hole



Descrizione/Description	Standard	Optional
<b>Cifratura</b> Key code	<b>400 codici chiave</b> 400 Key codes	
<b>Finitura</b> Finishing	<b>Cromatura</b> Nickel plating	<b>Brunitura</b> Black N.P.
<b>Tipo chiave</b> Key type	<b>Plastica snodata</b> Plastic hinged	<b>Fissa metallo</b> Metal fixed
<b>Colore impugnatura</b> Key cap color	<b>Nero</b> Black	<b>Grigio</b> Grey
<b>Chiave maestra</b> Master key system	<b>NO</b> NO	<b>SI</b> YES
<b>Cilindro estraibile</b> Interchangeable cylinder	<b>NO</b> NO	<b>SI</b> YES